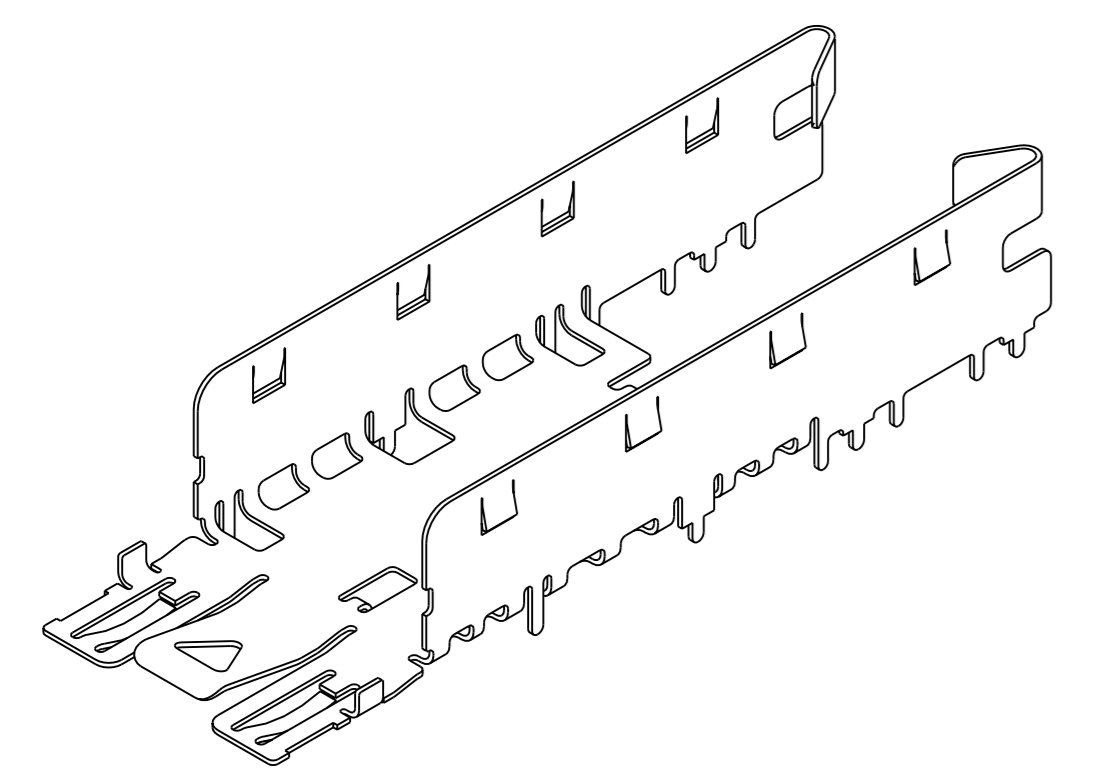
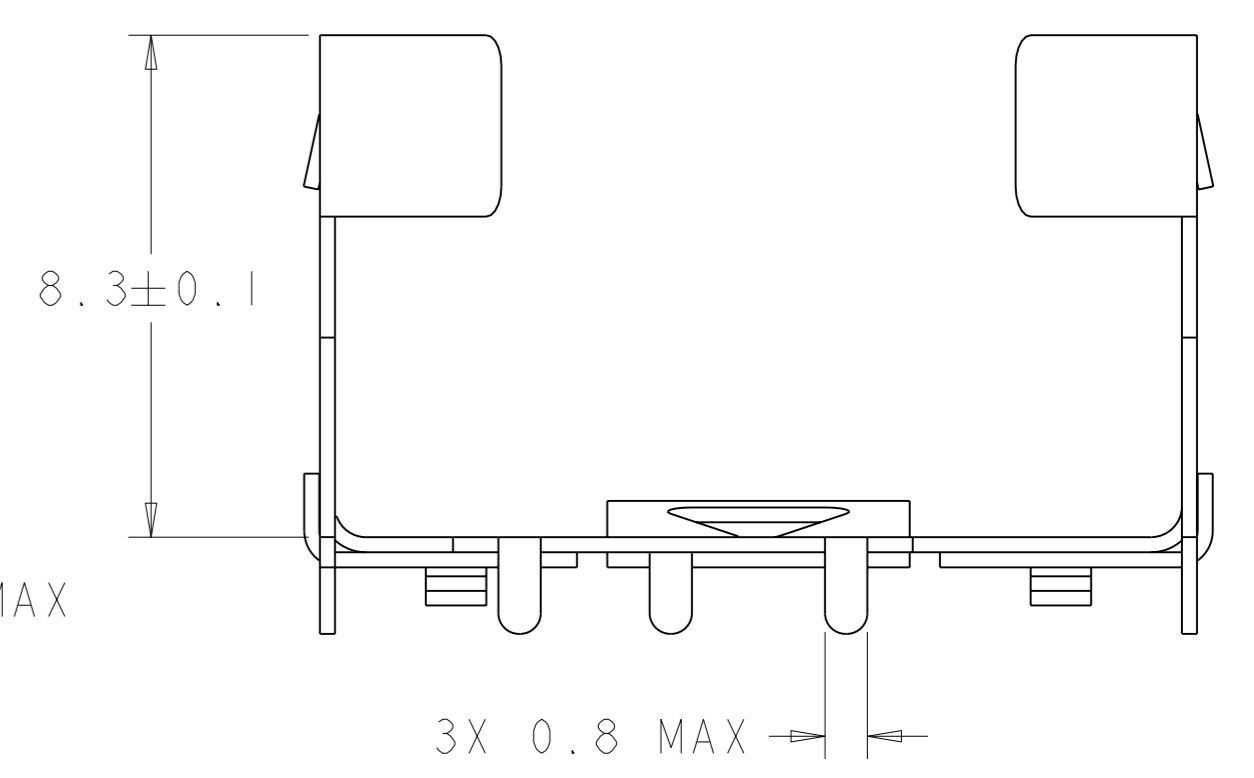
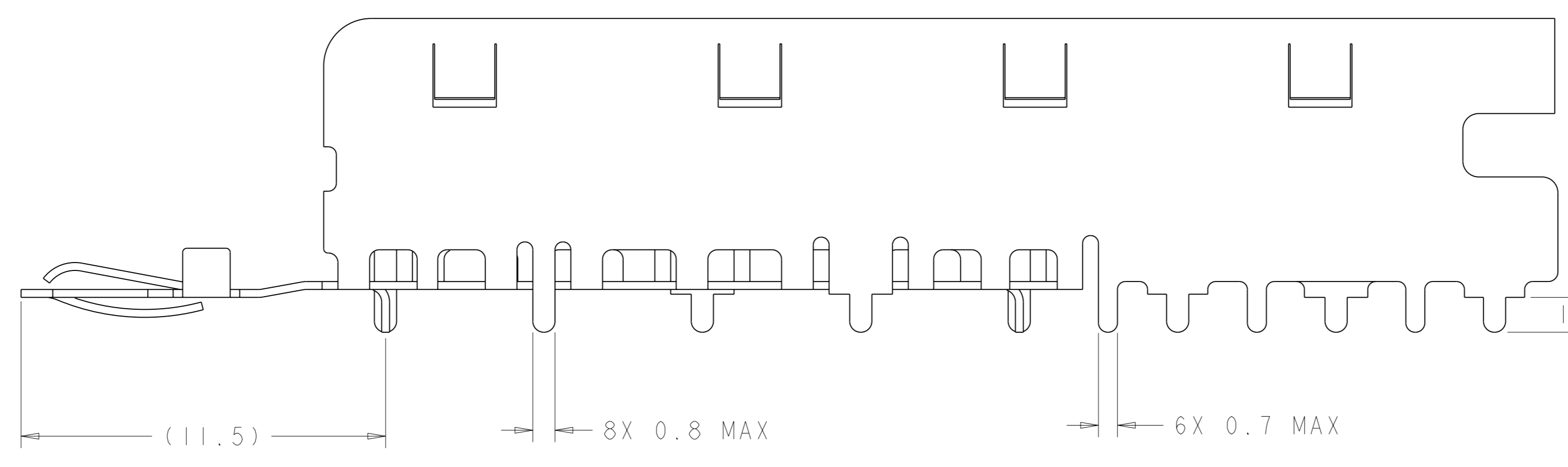
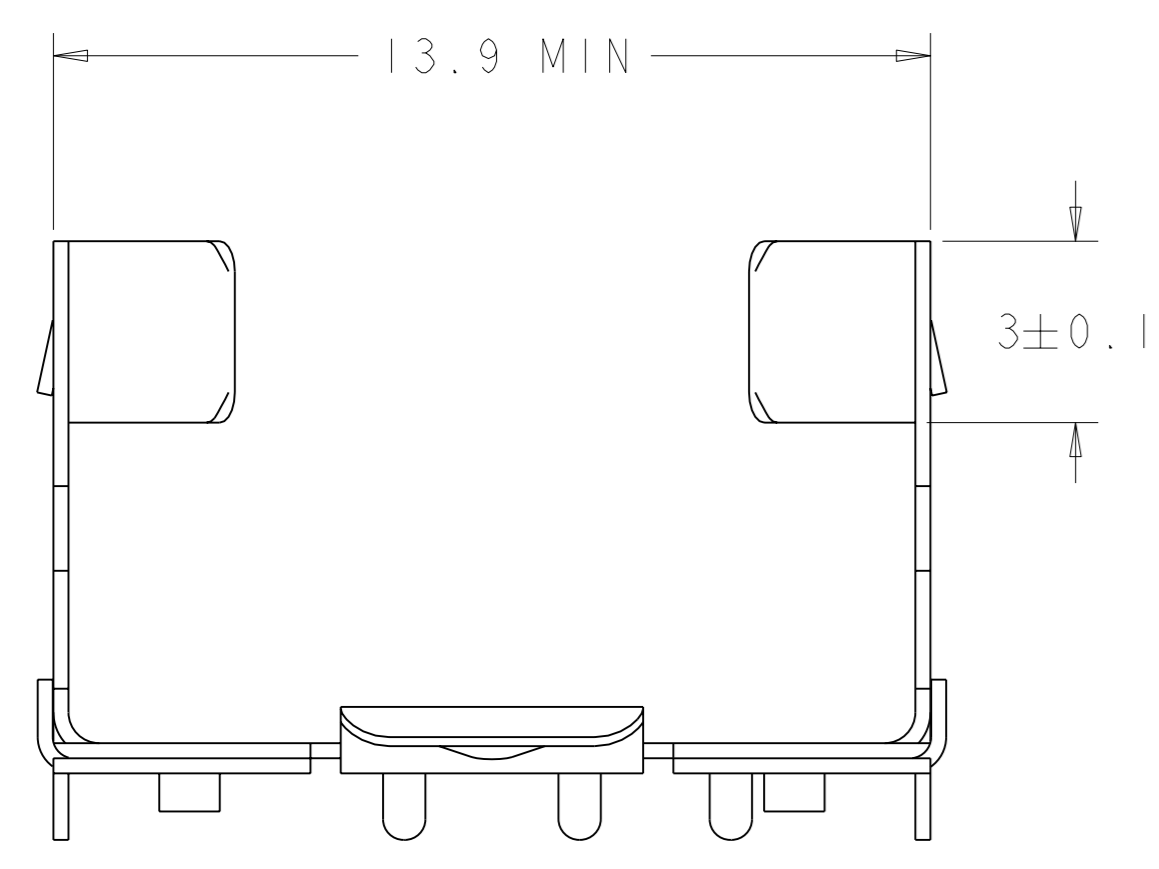
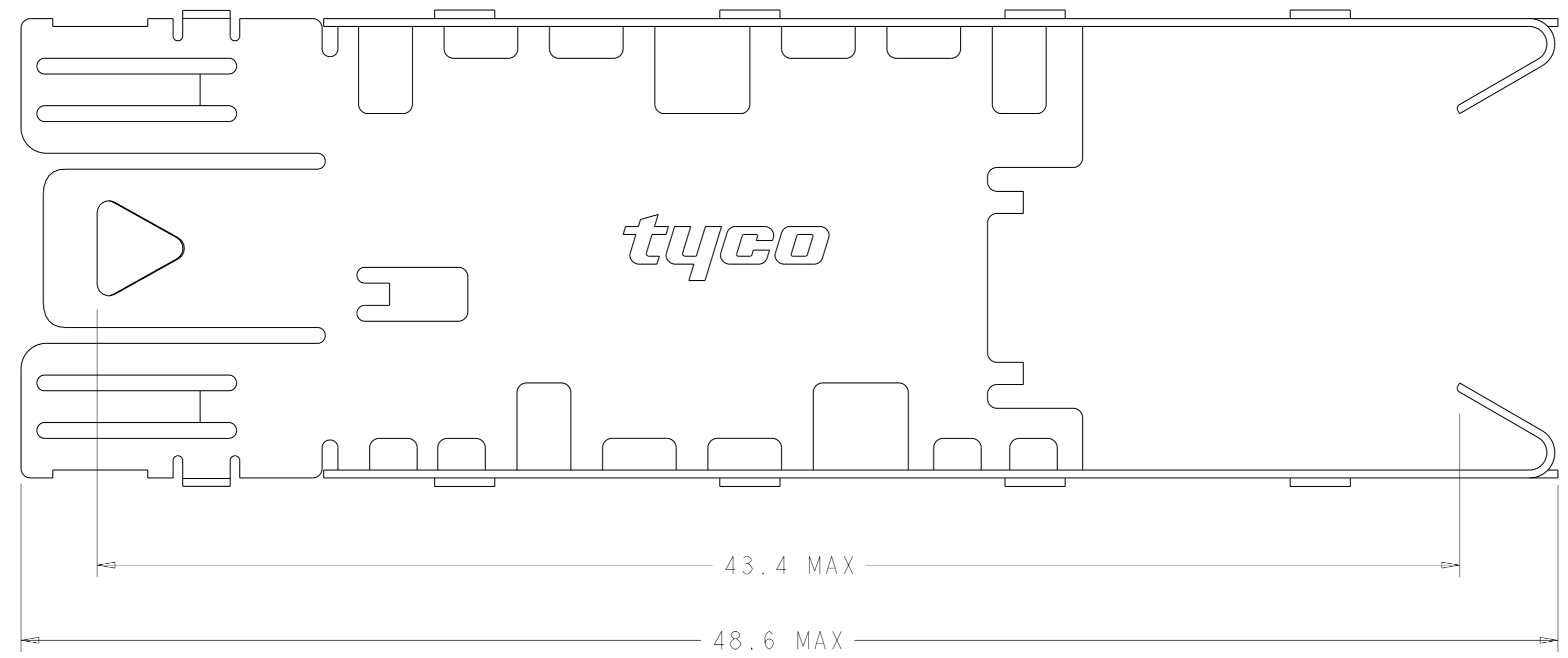


LOC		DIST		REVISIONS			
F	LYR	DESCRIPTION	DATE	DWN	APVD		
I		PRELIMINARY PER EC 0513-0083-05	27JAN05	JG	JK		
A		REVISED PER EC 0513-0308-05	22DEC05	BM	SS		



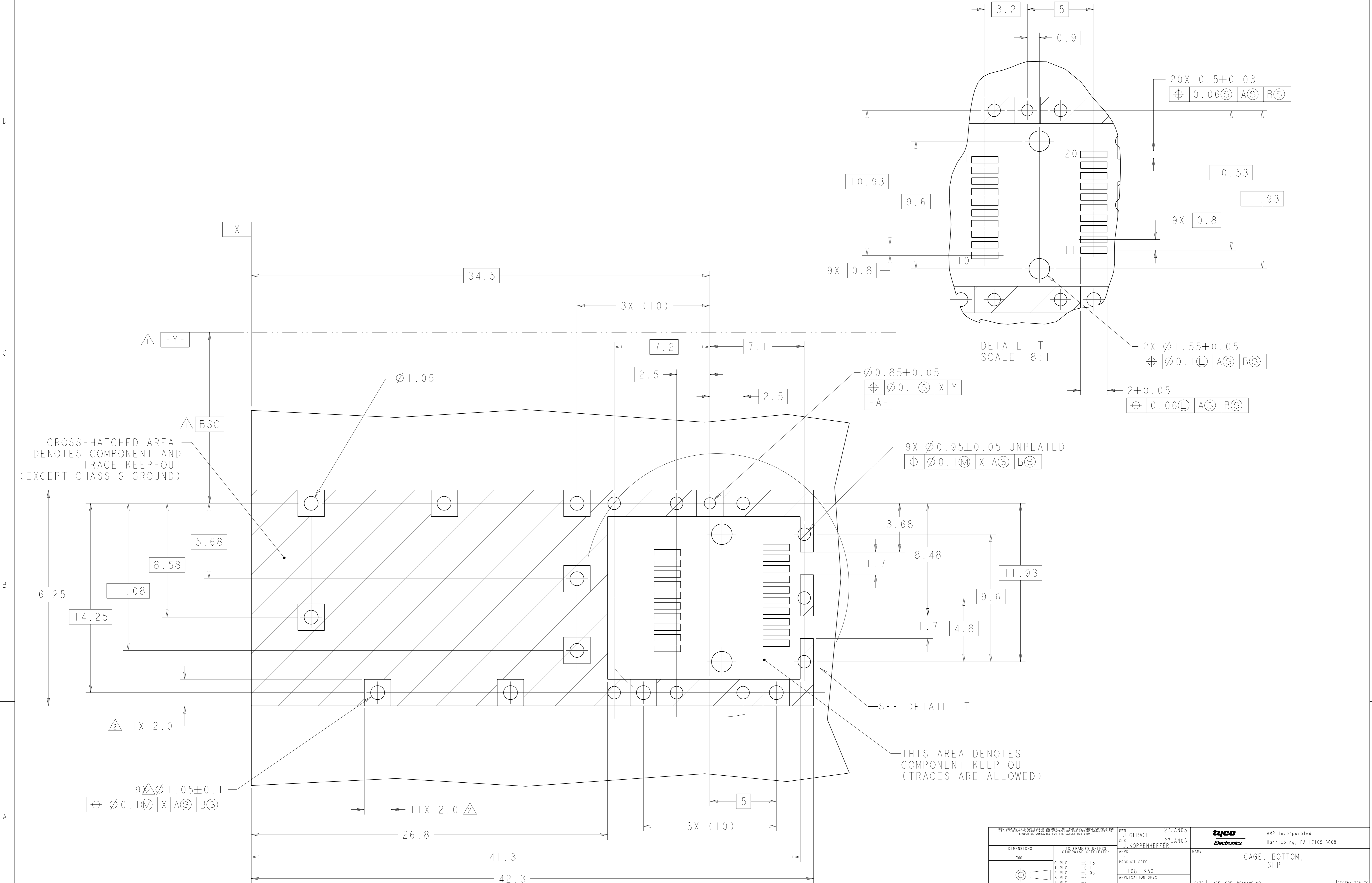
SCALE 3:1

- 1. DATUM AND BASIC DIMENSION, TO BE ESTABLISHED BY CUSTOMER.
- 2. PADS AND VIAS ARE CHASSIS GROUND.
- 3. COPPER ALLOY, 0.25 THICK.
- 4. 1.25 MICROMETERS MIN TIN OVER 0.125 MICROMETERS MIN NICKEL. BARE EDGES PERMISSIBLE.
- 5. PACKAGED 240 PIECES PER 13 INCH REEL.



6367034-1
PART NUMBER

<small>THIS DRAWING IS A CONTROLLED DOCUMENT FOR PROTECTIVE IDENTIFICATION PURPOSES. IT IS THE PROPERTY OF TYCO ELECTRONICS CORPORATION AND IS NOT TO BE REPRODUCED OR TRANSMITTED IN ANY FORM OR BY ANY MEANS, ELECTRONIC OR MECHANICAL, WITHOUT THE WRITTEN PERMISSION OF TYCO ELECTRONICS CORPORATION.</small>		DWN: J. GERACE 27JAN05 CHK: J. KOPPENHEFFER 27JAN05 APVD: -	tyco Electronics AMP Incorporated Harrisburg, PA 17105-3608
DIMENSIONS: (mm)	TOLERANCES UNLESS OTHERWISE SPECIFIED: 0 PLC ±0.13 1 PLC ±0.1 2 PLC ±0.05 3 PLC ± 4 PLC ± ANGLES ±	NAME: CAGE, BOTTOM, SFP PRODUCT SPEC: 108-1950 APPLICATION SPEC: 114-13017 WEIGHT: -	SIZE: A CAGE CODE: 00779 DRAWING NO: 6367034 RESTRICTED TO: -
MATERIAL: 3	FINISH: 4	CUSTOMER DRAWING	



RECOMMENDED P.C.B. CONFIGURATION

DIMENSIONS:		TOLERANCES UNLESS OTHERWISE SPECIFIED:		DWN: J. GERACE 27 JAN 05		tyco AMP Incorporated	
mm		0 PLC ±0.13		CHK: J. KOPPENHEFFER 27 JAN 05		Harrisburg, PA 17105-3608	
Ø		1 PLC ±0.1		APVD: -		NAME: CAGE, BOTTOM, SFP	
H		2 PLC ±0.05		PRODUCT SPEC: 108-1950		SIZE: A	
L		3 PLC ±		APPLICATION SPEC: 114-13017		CAGE CODE: 00779	
R		4 PLC ±		WEIGHT: -		DRAWING NO: 6367034	
ANGLES		FINISH: -		CUSTOMER DRAWING		RESTRICTED TO: -	
				SCALE: 8:1		SHEET 2 OF 2	
						REV: A	